

## 2 Main Features

---

- 1) Automatic blistering machine
- 2) Compact dimensions
- 3) Realization of blister in plastic material
- 4) Realization of blister in ALU ALU (laminated products)
- 5) Predisposition to install forming group with pre punching system for forming with special features
- 6) Predispose to install tray for the manual charger of product
- 7) Machine placed on bench with pivoting wheels for the easy movement inside production department

## 3 Model suggest

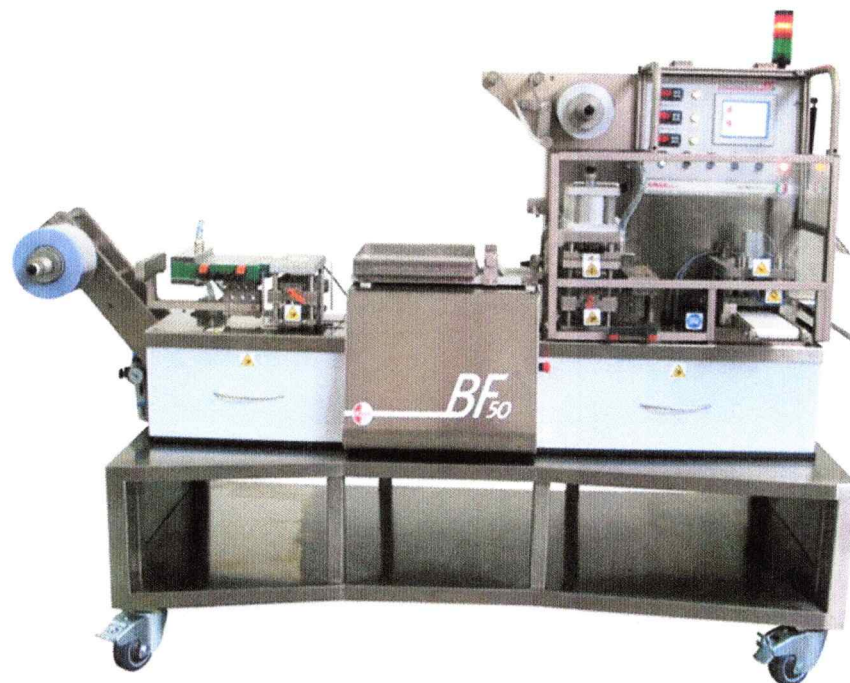
---

Blistering machine model BF 50 Version ST



### 3.1 The base machine includes

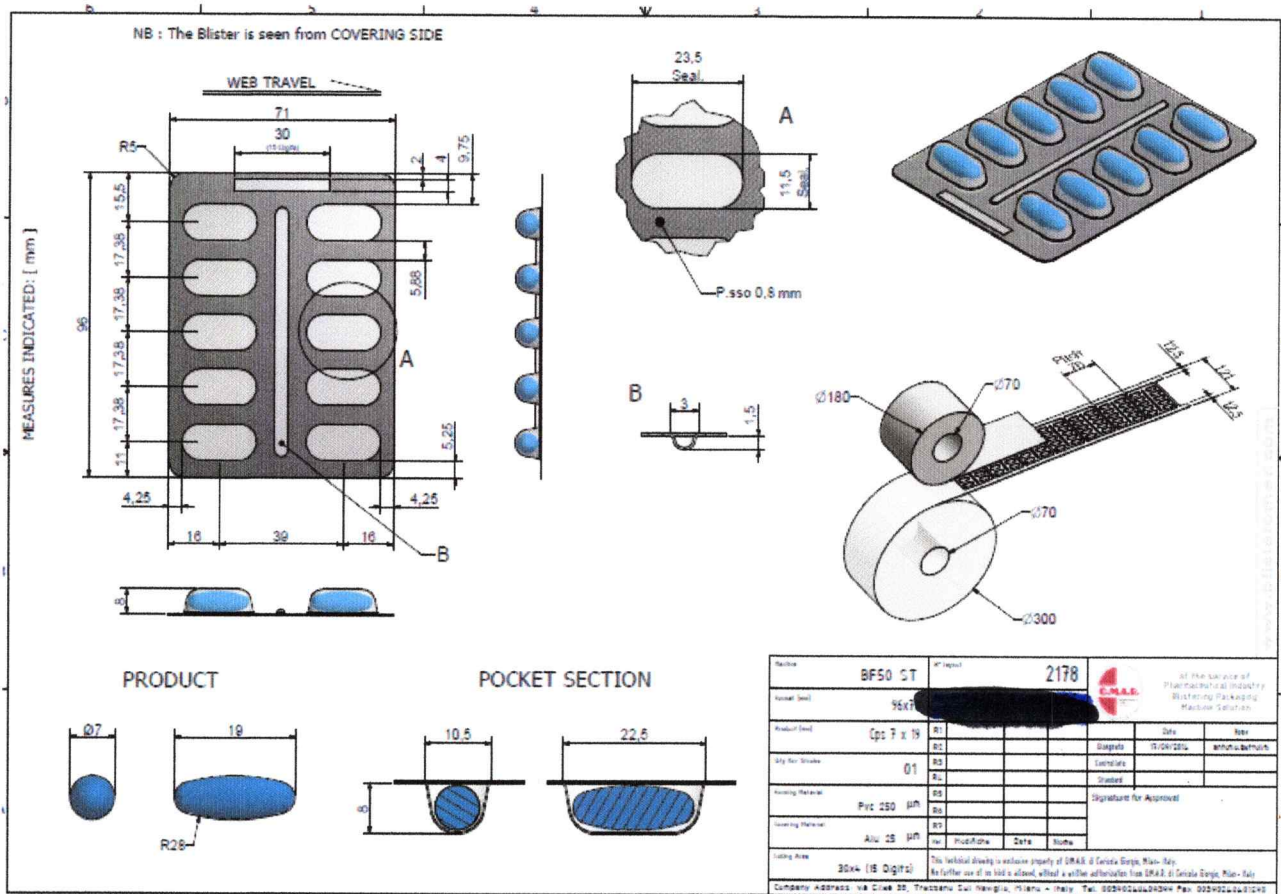
- Support for the plastic material roll
- Pre-heating station
- Forming station with 04 columns
- Predisposition for the pre punching system for blister in plastic material
- Predisposition for realizing blisters in ALU ALU (laminated products)
- Predisposition for the manual charge through a tray
- Predisposition for Full Box charger with rotating brushes on demand
- Support covering's roll
- Predisposition for coding area
- Predisposition for pre cutting (mono-dose)
- Sealing station with 04 columns
- Pitch system through Brushless system
- Cutting station with 04 columns
- Frontal conveyor belt
- System for the ejection of the cut blister through a conveyor belt placed on the machine's frontal side
- Bench to support the machine with pivoting wheels for the easy movimentation inside the laboratory
- Total protections for internal and external areas
- Management of the software through PLC
- Operator panel touch screen with 5 languages
- Instructions manual





## 5 Second request's details

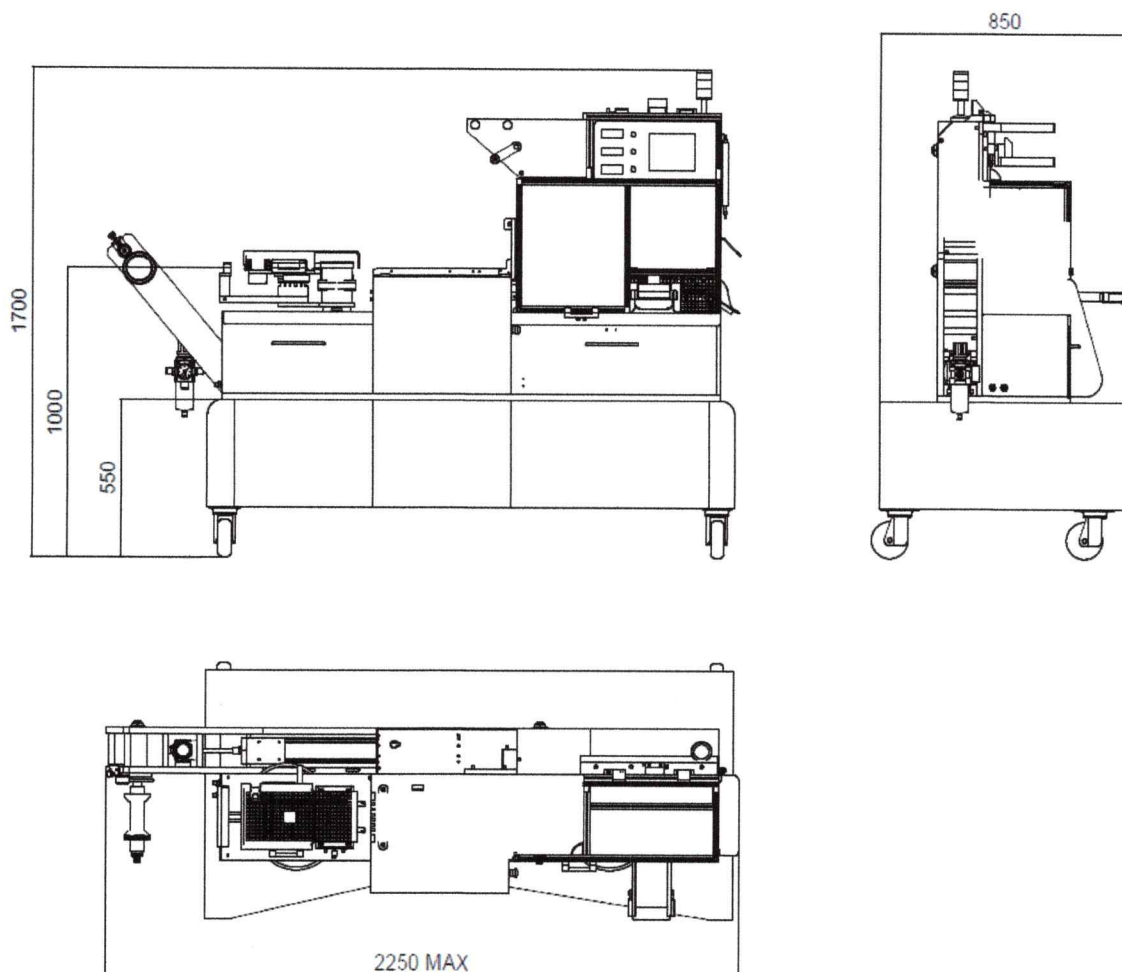
- 1 PVC ALU, blister size mm. 71x96
- 2 Hard-gel-capsules  $\varnothing$  7mmX19mm length
- 3 coding area of 30mm (15 digits),
- 4 10 pockets for blister, N. 02 blister per stroke



Please send us samples of these cps and blister just to give has chance to optimize the shape of the blister layout.

## 6 Technical data

Machine dimensions (LxPxH)	cm. 215x66x125h
Packaging dimensions (LxPxH)	cm. 247x87x166h
Weight of the machine (without packaging)	550 kg
Connection compress air	Pipe □int. 12 diam. □ext. 14
Pressure	From 4 to 9 bar
Electrical supply	230V 50HZ
External cooling group	Cool water at 20 □
Light inside working area	Not expected with the supply



## 7 Machine Gallery

---

