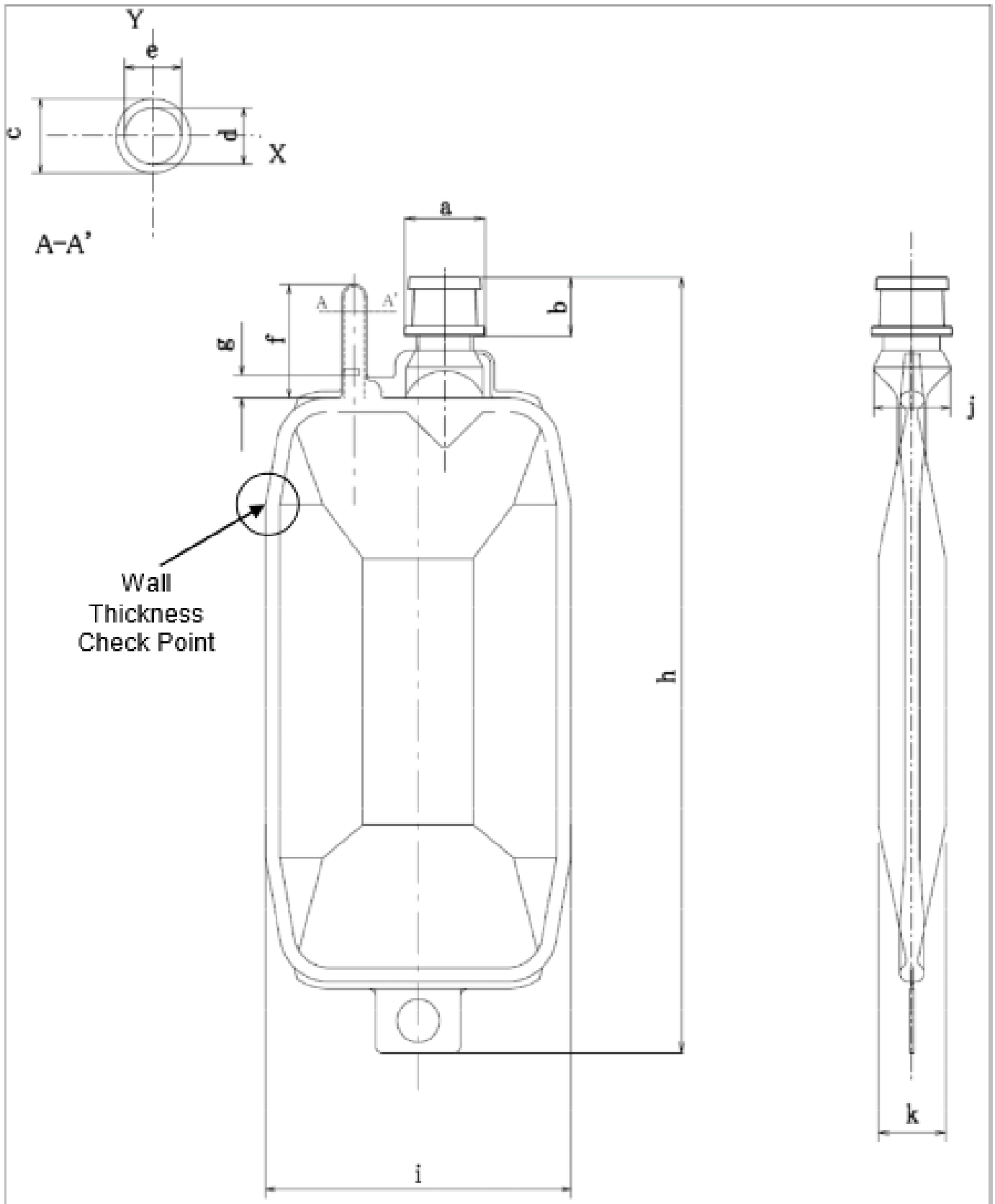


**Figure 1: Locations for Dimensions Measurements**



**Table 4: Dimensions and Specifications**

<b>Dimension (refer to Figure 1)</b>	<b>Specification</b>
a. Outside diameter of the welded part of the closure	23.0 + 0.7mm
b. Height of the closure	17.4 + 0.3mm
c. Outside diameter of the filling line	7.0 + 0.2mm
d., e. Inside diameter of the filling line	5.6mm or more
f. Length of the filling line	32.0 + 0.7mm
g. Height of the rib	6.5 +0.2mm
h. Overall length of the bag	219.0 + 1.2mm
i. Width of the bag	86.5 + 1.2mm
j. Outside diameter of the chucking part	21.5 + 0.3mm
k. Thickness of the bag	18.5 + 1.0mm
Wall thickness	≥ 0.1mm